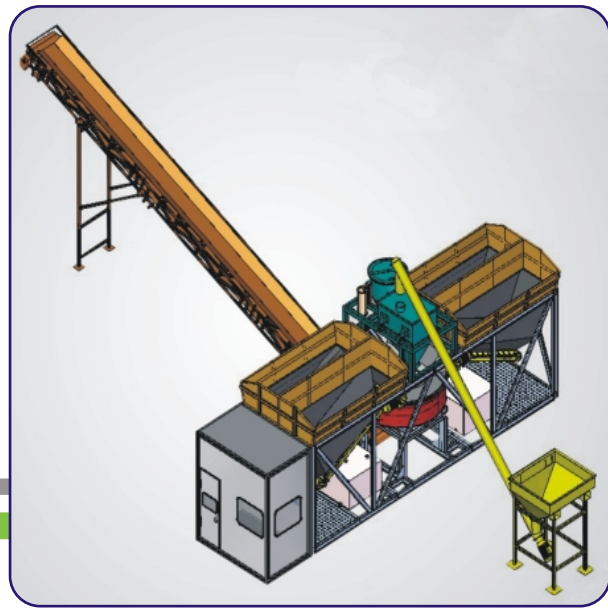


For Truly Technical Constructions...!

Semi Mobile Concrete Batching / Mixing Plant - (MASM)
Available in 20 / 25 / 30 M³ / hr. Capacity.



 **MACONS**[™]



Technical Specifications

DESCRIPTION	UNIT	MASM-20	MASM-25	MASM-30
Output Capacity	M ³ /hr.	20	25	30
Volume (Gross/Net)	Ltr.	1000/600	1200/800	1400/1000
Mixer Motor	KW	18.5	22	30
Aggregate Hopper Capacity Each	M ³	2.5	3.5	4.5
Water Tank Capacity	Ltr.	500	500	750 X 2
Controls	Fully Automatic	Fully Automatic	Fully Automatic	Fully Automatic
Connected Power	KW	36	45	53
Weight (Approx)	Ton	9	10	11



Salient Features

- Available in 20/25/30 m³/hr. capacity.
- Mixer PAN type, for continuous mixing.
- Replaceable liner Tiles and Tips in to the mixer.
- Inbuilt Water and Additive tank.
- Fully Automatic plant with Electronic weighing of aggregate/sand/water/cement.
- Loading of aggregates / sand Hoppers by wheel loader / conveyor manually.
- Easy transportation & shifting.

Advantages:

- Compact and economical design.
- Easy installation and put into operation.
- Remarkably cost efficient.
- Plant operation is very silent, in a clean surrounding.
- Least maintenance of plant, due to less wear & tear of parts.
- Civil Foundation work is not required as fully containerized plant.

Optionals:

- Online Printing System.
- Discharge Belt Conveyor.
- Fly Ash Feeding System.
- Cement Storage Silo.
- Computer SCADA System with Software.
- Touch Screen with provision of USB for data back up.

MACONS EQUIPMENTS

Plot No. 37/C, Phase-I, G.I.D.C. Estate, Vatva, Ahmedabad-382 445 Gujarat-INDIA.
 Ph. : 0091 + 79 + 25894558 / 25891510 / 65438746
 Fax : 0091 + 79 + 25892097 E-Mail : info@macons.co.in Website : www.macons.co.in